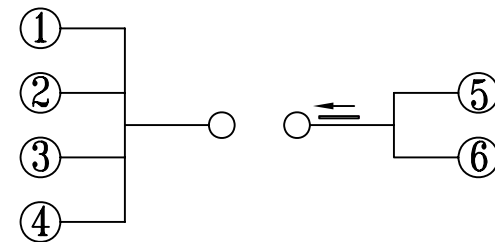
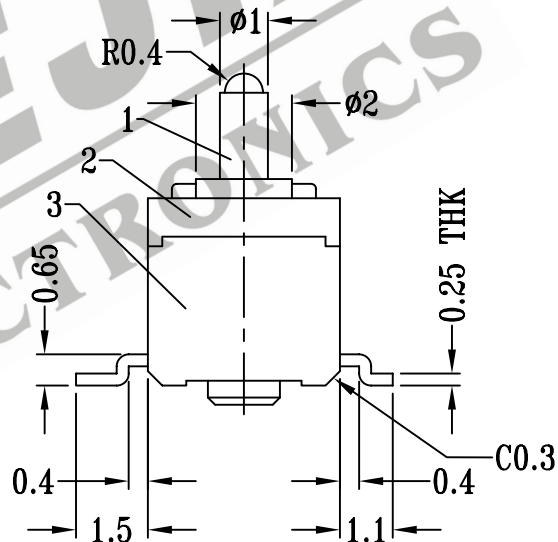
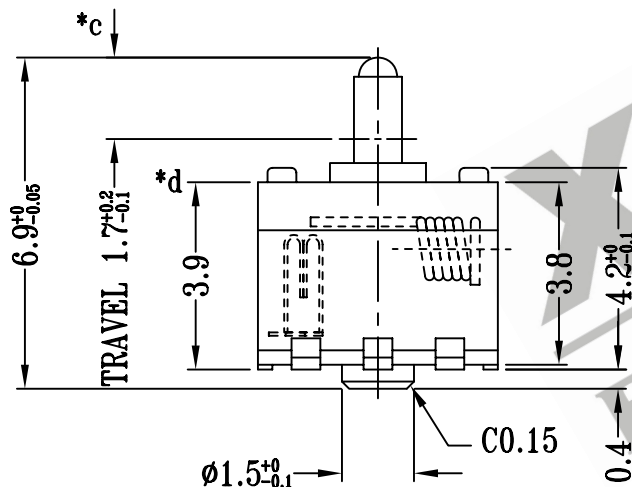
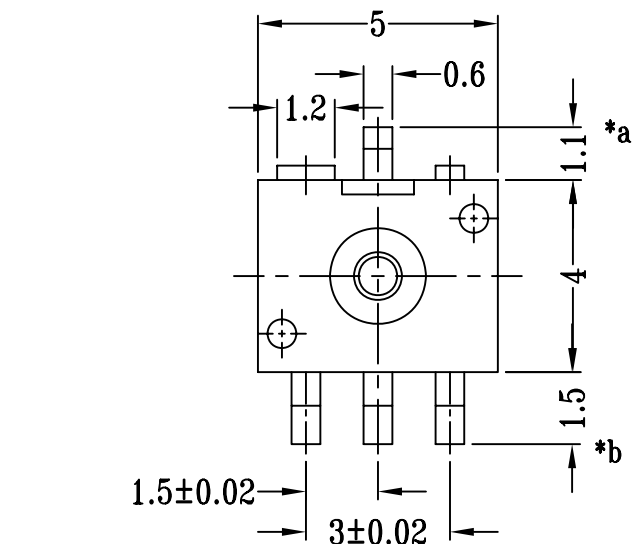
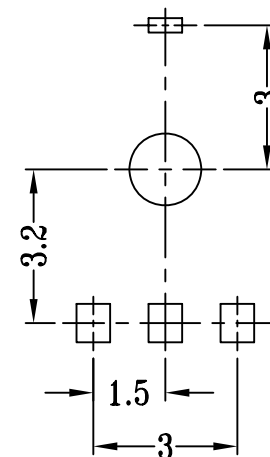


CAD FILE:



SCHMATIC



P.C.B LAYOUT

注:带"*"表示关键尺寸(4个)

8					TOLERANCE UNLESS SPECIFIED	SHENZHEN XIEJIA ELECTRONICS CO.,LTD.				
7										
6					WITHIN: 1.5±0.1mm OVER: 1.5±0.2mm	ISSUE	DATE	DESCRIPTIONS		APPD.
5	CONTACT	PBS	1	Ag CLAD						
4	SPRING	PBS WIRE	1	Ag PLATED	TITLE : TACT SWITCH		UNIT : mm	DRWG NO.: XJ-DR-TC0040-00		
3	CASE	NYLON+F.G+94V0/0.25MM BRASS	1	BLACK/Ag PLATED OVER Ni PLATED						
2	COVER	NYLON+F.G+94V0	1	BLACK	MODEL: TC-0040		SCALE: 6:1	DWN.	ZHOUYU	2001-6-21
1	KNOB	NYLON 46	1	BLACK				CHK'D	FANGYING	2001-6-21
NO.	PART NAME	MATERIAL	Q'TY	FINISHING	ALL MATERIALS MUST BE COMPLIANT TO ROHS			APPD.	KANGXINAN	2001-6-21